

## WATER GATE OPENING INDICATOR

# Limit Switch Box (MD200 Series)

- High accurate detection of gate opening position even if wide opening range.
- Up to 6 contact signal can be output depending on arbitrary gate opening position
- Easy adjustment works of detection position
- Rainproof enclosure (IP23)



## Summary

- MD200 Series is a Limit switch box which output contact signals depends on the gate opening, it is suitable for accurate gate operation.
- Two type epicyclic cam will make limit switches depending on rotation of the disk by inputting a shaft rotation of the gate hoist.

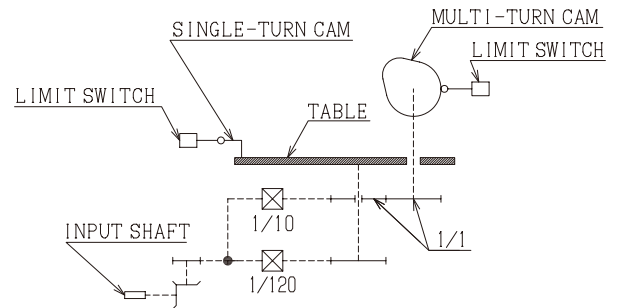
## Main specification

Ambient Temperature	-15 to +50°C	
Ambient Humidity	30 to 90% RH (Non condensing)	
Structure of Main Body	Rainproof	
Allowable rotation speed	300r/min.	
Input shaft rotation condition	90-100rev/F.S	
Allowable radial load	147N(15kg·f)	
Allowable thrust load	98N(10kg·f)	
Shaft friction torque	0.394N·m(4kg·f·cm)	
Weight	Approx. 32kg	
Contact specifications	Contact Capacity	AC250V, 10A (load resistance )
	Contact for	MAX. 3pcs
	Multi-turn cam	Accuracy : $\pm 0.025\%$ F.S or less
	Contact for	MAX. 3pcs
	Single-turn cam	Accuracy : $\pm 0.15\%$ F.S or less

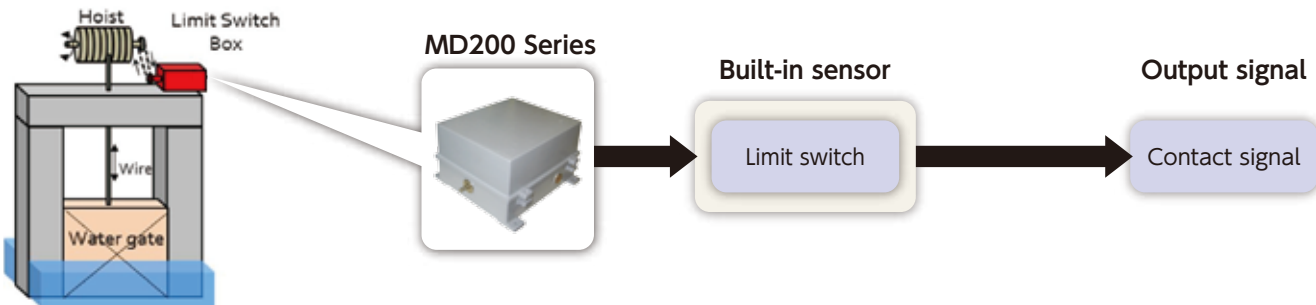
## Model name : MD2[A][B]-[C]

Code	Option Type	Option Detail Number
[A]	Multi-turn Cam	2 : 2pcs, 3 : 3pcs
[B]	Single-turn Cam	2 : 2pcs, 3 : 3pcs
[C]	Input shaft direction of rotation	R : Right(C.W) L : Left(C.C.W)

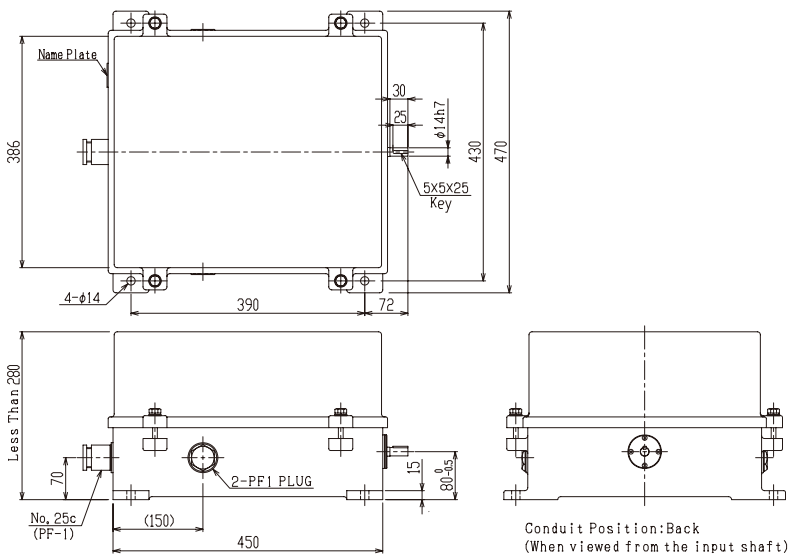
## Internal constitution



## System configuration



## Outline drawing



※Information in this document is subject to change without notice