

WATER GATE OPENING INDICATOR Signal Converter (SLDC4C Series)

- Convert the Synchro to Analog signal
(4-20mA, DC0V~10V, DC0V~5V DC-5V~+5V DC-10V~+10V)
- Easy adjustment of output analog signal
- Small temperature coefficient
- Zero hold function
- Upper limiter function
- Small size and lightweight



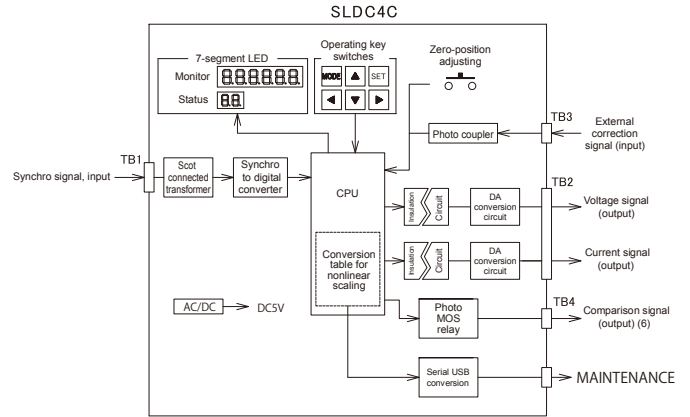
Summary

- SLDC4C series is a data converter from Synchro into Analog (4 to 20mA / 0 to 10V).
- Adjustment functions are equipped for analog output
- Terminal blocks are on the front panel and wiring is easy.

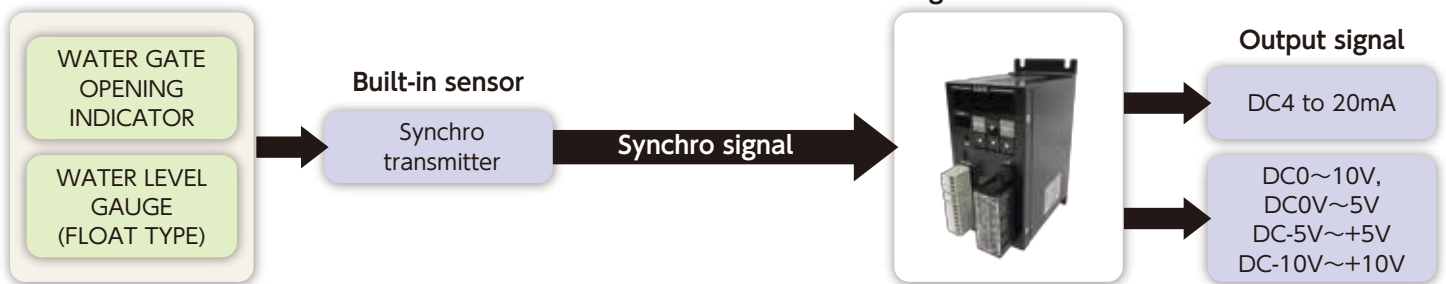
Main specification

Model	SLDC4C
Input	Synchro (3-wire signal, max.90V 50/60Hz)
Output	DC 4-20mA / 0-360° (Accuracy: +0.15%) DC 0-10V / 0-360° (Accuracy: +0.10%)
Zero hold (Lower Limit)	Current: 4mA hold Voltage: 0V hold
Power Supply	AC85V~AC250V, 50/60Hz
Current consumption	17VA
Ambient temperature	0°C to 50°C
Tracking speed	Max. 100 r/min (rpm) (synchro shaft input speed)
Insulation resistance	AC input side: AC1500V 1min. Output side: AC1000V 1min.
Ambient temperature	0 to 50 °C 30 to 90 %RH (no condensation)
Weight	Max.2.5kg

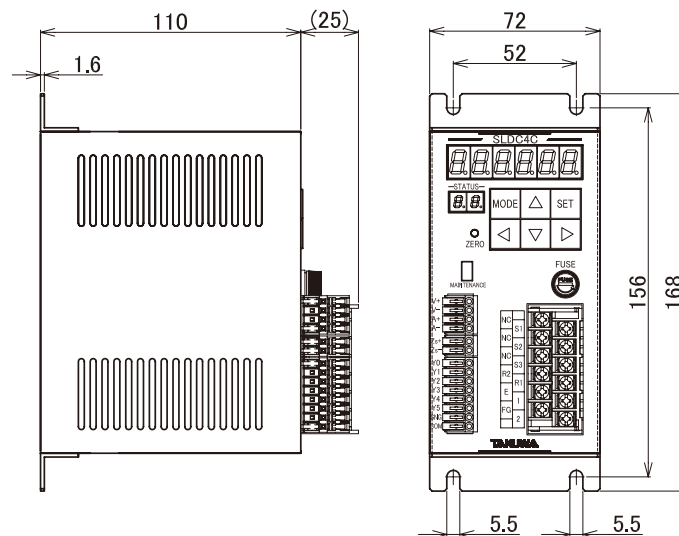
Block Diagram



System configuration



Outline drawing



※Information in this document is subject to change without notice