

CPS series

Pressure type Water Level Gauge

- **4-20mA Output**
- **Compact and Robust Body**
- **Easy Installation and Maintenance**
- **Built-in Arrester**



Summary

CPS Series is a water pressure sensor with a small and lightweight body. It is suitable for water level observation of well, small channel and water gate.

Example of installations



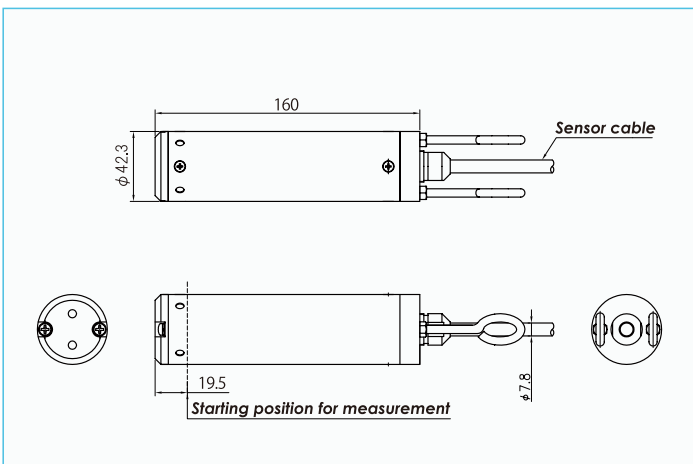
Urban river



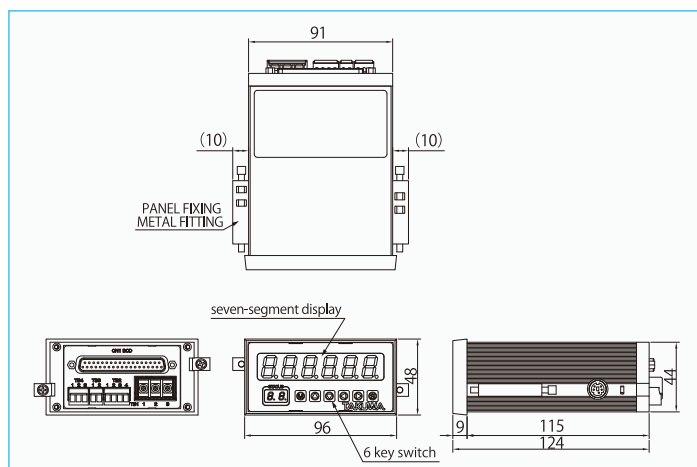
General river

Outline drawing

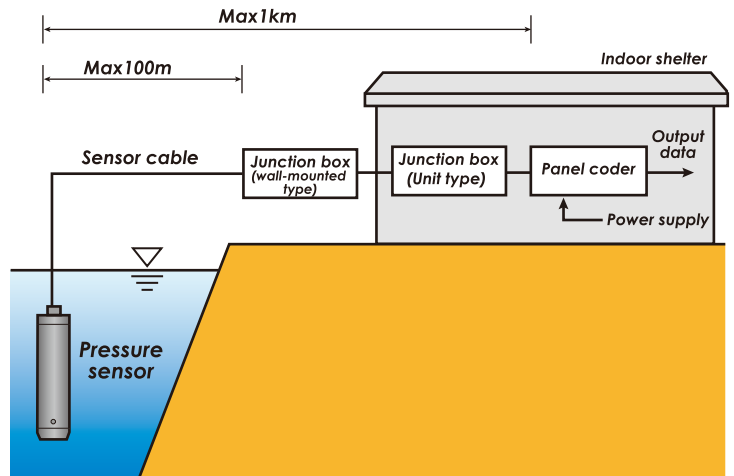
Pressure sensor



Panel coder



System block diagram



Specifications

Pressure sensor

- Model : CPS-04-A 0 - 4m measurement
CPS-10-A 0 - 10m measurement
CPS-20-A 0 - 20m measurement
- Accuracy : LSCN-04 : 0.2%F.S.
LSCN-10,20 : 0.1%F.S.
- Detecting system : Semiconductor-type
- Overload : 200%F.S.
- Output signal : 4 - 20mA (Current output)
- Allowable load resistance : 600Ω (DC24V)
- Power supply : DC24V (11-26V)
- Ambient temperature : -10°C - +60°C (Ice-free)
- Material : SUS 316L
- Dimension : Φ42.3×160mm
- Weight : approx. 1.0kg or less (sensor only)
- Cable : Sensor cable (air tube inside)
Outside dimension approx. Φ7.8mm

Panel coder

- Model : PC - AI - □□□
(□ : depend on number of Input, type and number of output signal)
- Input : 4 - 20mA
- Output : Standard : Contact signal
(when threshold over)
Option : 4 - 20mA, BCD
- Functions : Data display, Scale conversion, Level offset, Averaging
- Power source : DC12V or AC90 - 220V
- Dimensions : 96W x 48H x 124D mm
- Weight : approx. 0.5kg

※Information in this document is subject to change without notice



Inquiry:E-mail e-info@takuwa.co.jp

1-4-15 Uchi-kanda, Chiyoda-ku, Tokyo 101-0047 Japan
Tel:+81-3-3291-5380,Fax:+81-3-3291-5226